



*Getman mechanical scalers are a key component of maintaining safe and productive working environments in underground operations, performing the necessary task of scaling safely and effectively through a purpose-built design philosophy. Mechanical scaling is the safest way to bring down loose material from back and rib surfaces.*

*Getman's S320 mechanical scaler has an optimal roof scaling coverage range of 3 m to 7 m (9.8 ft to 23 ft), and an optimal rib scaling coverage range from 1.5 m to 7 m (5 ft to 23 ft). The single extension boom allows an advance over 4 m (13.1 ft) from a single setup, while Getman's scaling brake package allows for easy boom movements throughout the scaling process.*

*S300 scalers drive safety through purpose-built design, including an operator compartment removed from the scaling area at the far rear of the machine and a stable chassis that does not require stabilizers, making emergency maneuvers a single step operation. The optimized line of sight to the scaling area improves visibility and operational effectiveness, while the cabin is rubber-mounted onto the chassis to reduce vibration transfer to the operator.*

## Technical Specifications

### Engine

- Tier III approved engine - 4-cylinder
  - › Mercedes Benz OM904LA, 129 kW (173 hp) @ 2200 rpm
  - › Cummins QSB4.5, 127 kW (170 hp) @ 2200 rpm
- Liquid-cooled, turbocharged
- 227 L (60 gal) fuel tank with self-closing cap

### Exhaust System

- Catalytic exhaust conditioner and silencer

### Transmission

- Dana Clark 32000 powershift transmission
- Three speeds forward and reverse
- 4-wheel drive

### Axles

- Deere 1200 TMII planetary drive axles

### Tires

- 12.00×24-16pr mine service tires

### Brake System

- Fully hydraulic wet disc service brakes on each axle
- Spring applied, hydraulic pressure release driveline disc secondary brake
- Automatic secondary brake application upon fire suppression activation, or loss of brake accumulator pressure, transmission pressure or electrical power

### Steering

- Orbitrol controlled articulated frame steering
- Heavy-duty, tapered roller bearings
- Two double-acting steer cylinders with replaceable bushings in cylinder and frame ears
- 30° articulation each direction

### Hydraulic System

- Hot side/cold side engine layout
- Hydraulic hoses routed to cold side of engine
- Closed center hydraulic circuits with piston hydraulic pumps
- Diagnostic test ports with quick couple fittings for: each axle, service brake application pressure, and hydraulic pumps
- 10-micron in-line filter
- 303 L (80 gal) hydraulic reservoir

### Operator Compartment

- Three-point contact for entry and exit
- ROPS/FOPS certified compartment (SAE J1040C, CSA B-352, ISO 3471)
  - › Open canopy
  - › Enclosed cabin with heater and air conditioner
- Mechanical suspension operator seat
- Retractable lap seat belts

### Instrumentation

- Engine and transmission gauges
- Engine temperature
- Engine oil pressure
- Voltmeter
- Hour meter
- Tachometer
- Transmission clutch pressure
- Converter temperature
- Brake accumulator pressure gauge
- Brake accumulator low-pressure warning
- Park brake applied warning light
- Audio/visual alert for high engine temperature
- Audio/visual alert for low engine pressure

### Electrical System

- 24 V, 100 A alternator
- Lockable electrical master switch (lockout)
- Maintenance-free 12V batteries
- 140 W headlight housings with 70 W halogen bulbs: four front, two rear, two on boom
- Sealed and oil resistant wiring
- Fully sealed connectors
- Fully sealed electrical boxes

### Other General Equipment

- Variable audio backup alarm (87-112dBA)
- 2.3 kg (5 lb) fire extinguisher
- Wheel chocks
- Four nozzle Ansul fire suppression system tied to engine shutdown (LTA-101-30)

### Optional Equipment

- Wiggins fill system
- Lincoln auto-lubrication package

---

## **Mechanical Scaling System**

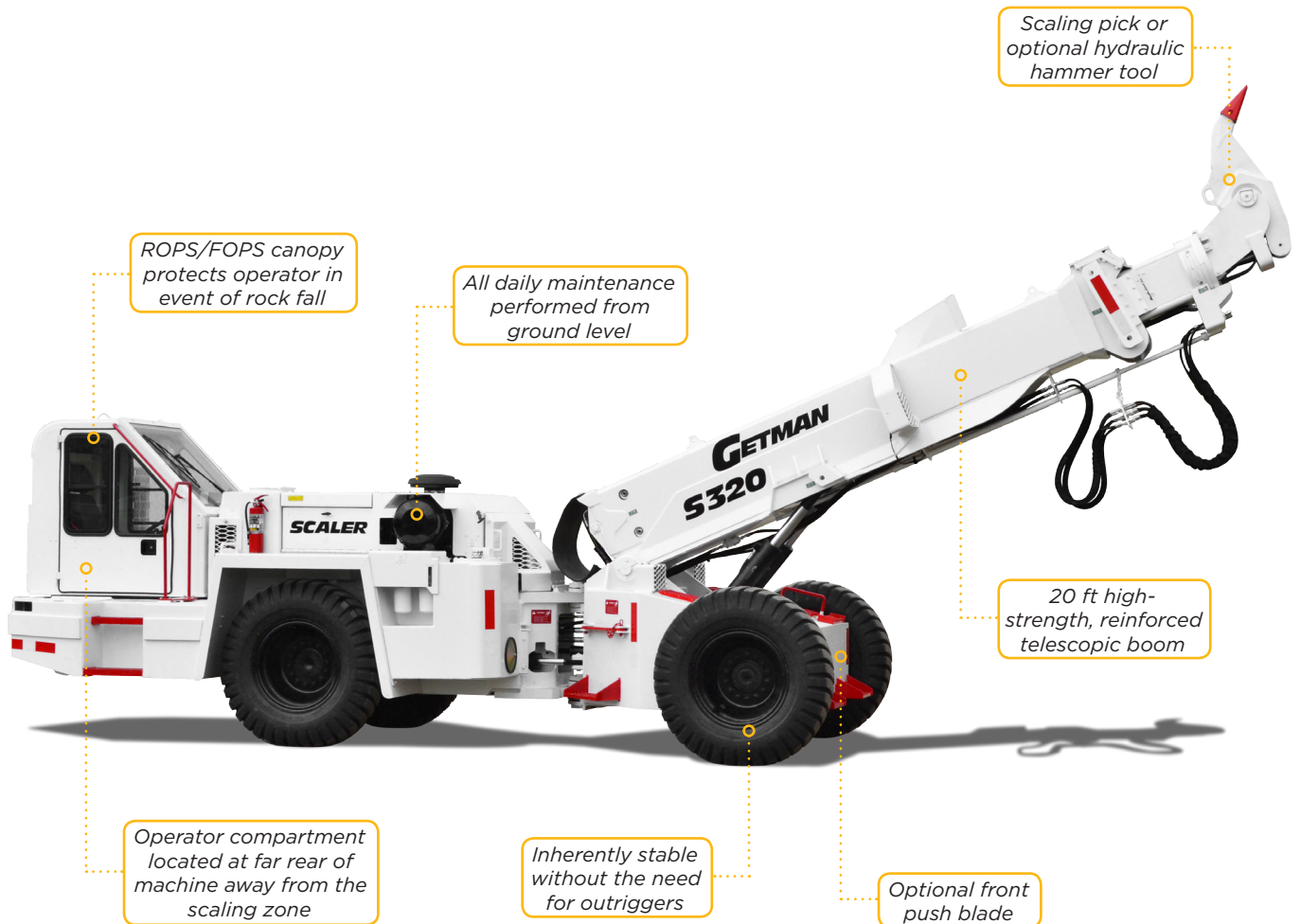
### **Scaler Setup**

- 5.5 m (18 ft) minimum recommended drift width for optimal scaling
- 6.1 m (20 ft) high-strength, reinforced telescopic boom
- Maximum boom height reach of 9 m (29 ft 7 in) with 3.7 m to 6.7 m (12 ft to 22 ft) working height
- Scaling tool operated by a dual-acting hydraulic cylinder, and internal gear rotator providing 180° of rotation
  - › Pick with replaceable tooth
  - › Hydraulic hammer with up to 678 N•m (500 ft•lb) force
- 2769 mm (109 in) wide stance front tires
- Oscillating cradle lock-out, automatically activated with scaling brake
- Boom swing is accomplished, during scaling, with foot pedals that are activated when the scaling brake is set

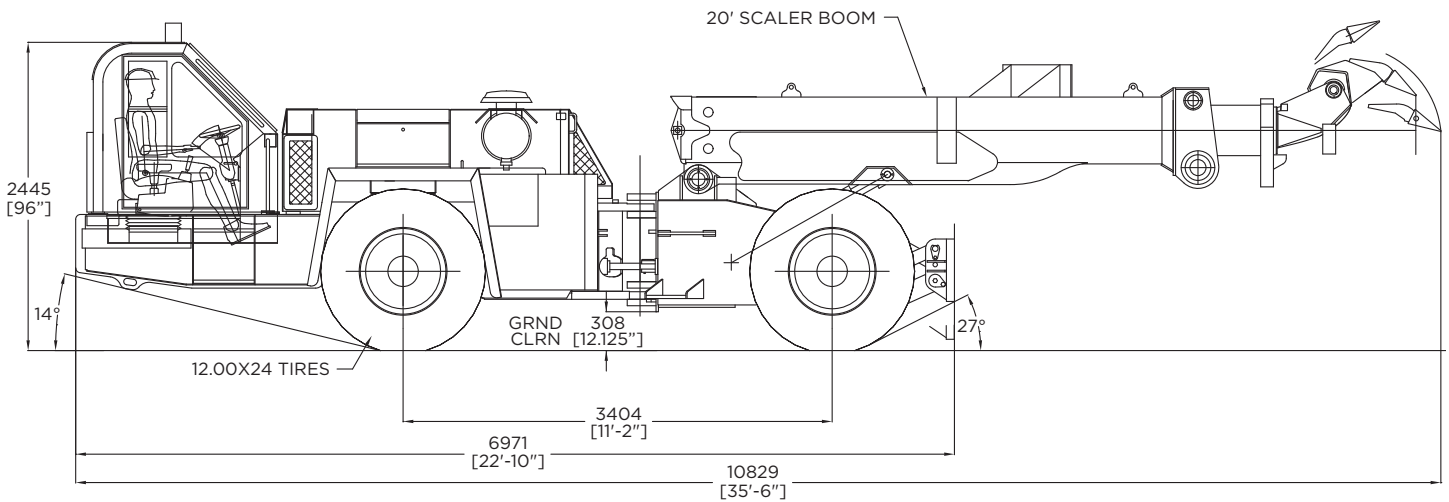
### **Scaler Setup - Additional Options**

- Front push blade, 2743 mm (108 in) wide

### Design Features and Layout

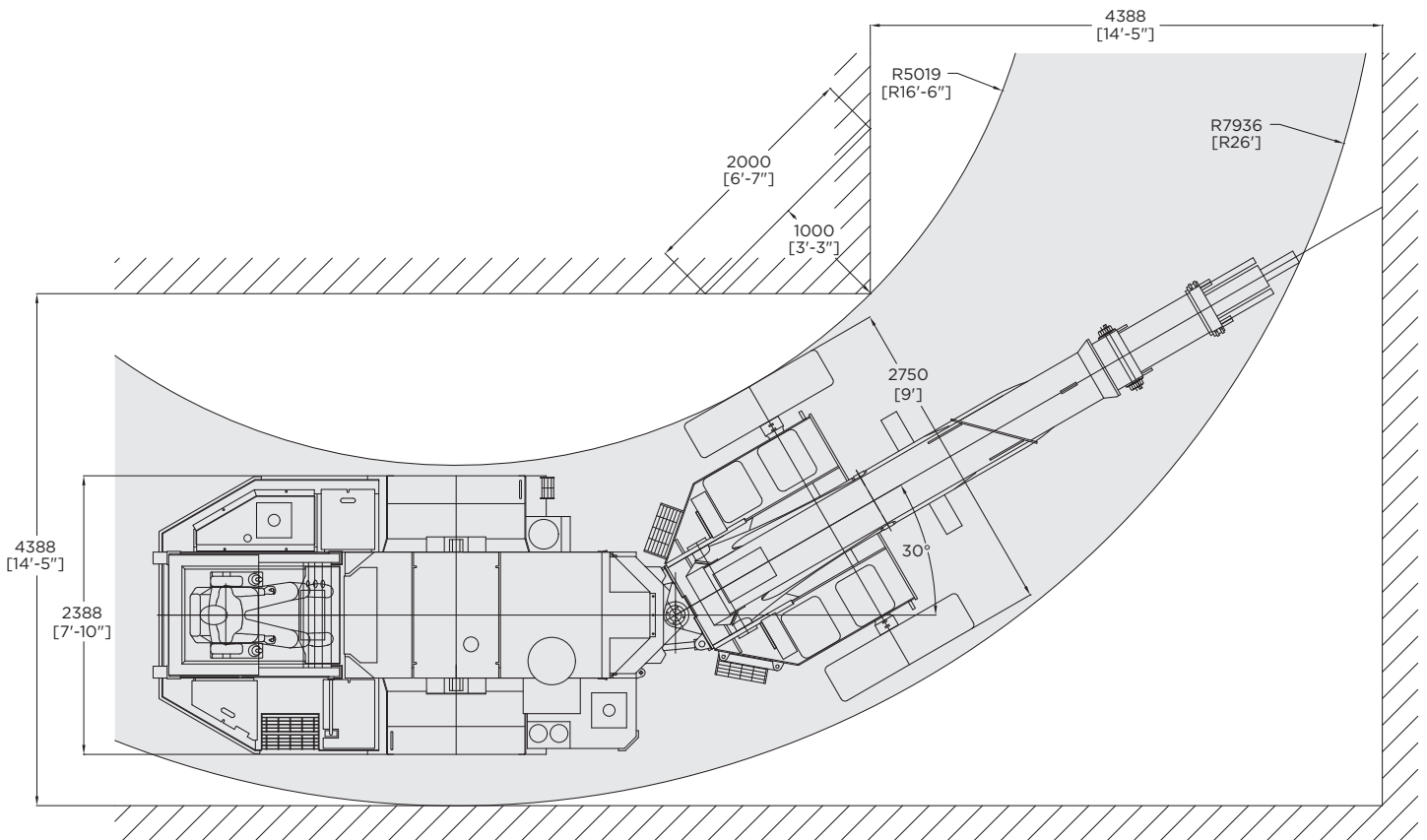


**Dimensions and Maneuverability**



Machine Length	10829 mm	426 in
Wheelbase Length	3404 mm	134 in
Ground Clearance	308 mm	12.125 in
Machine Height	2445 mm	96 in

**Dimensions and Maneuverability**



Machine Width	2750 mm	108 in
Inner Turning Radius	5019 mm	198 in
Outer Turning Radius	7936 mm	312 in

### About Getman Corporation

Getman Corporation is a global supplier of mobile equipment to the mining industry, offering customer-specific solutions to underground mines in the production and production support classes of equipment. All Getman equipment is designed with extensive research and development and is supported by over fifty years of experience in serving the underground mining industry.

Through our network of distributors we sell and support our products on six continents, offering exceptional product solutions and following up with world class aftermarket support. At Getman Corporation, designing and building trucks for the underground mining industry is what we do. We take pride in being the preferred supplier of underground production and production support equipment to miners globally by offering customer-specific, value-driven and long-lasting solutions.



For more information contact your Getman distributor or email us at [info@getman.com](mailto:info@getman.com), or visit our website at [www.getman.com](http://www.getman.com).

For parts or service support, email us at [parts@getman.com](mailto:parts@getman.com) or [service@getman.com](mailto:service@getman.com).

Getman Corporation assembled this datasheet with the intention of passing along the most accurate information possible, however this document shall not be binding in any way and shall be considered informational only. All values stated herein are theoretical in nature. All orders are accepted based on the terms and conditions set forth in the individual purchase or sales agreement. Getman reserves the right to make changes to the specification herein at any time and without further notification.

Pictured machines in this document may contain optional and additional equipment.